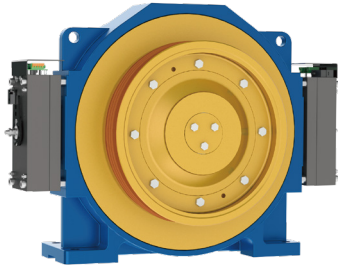
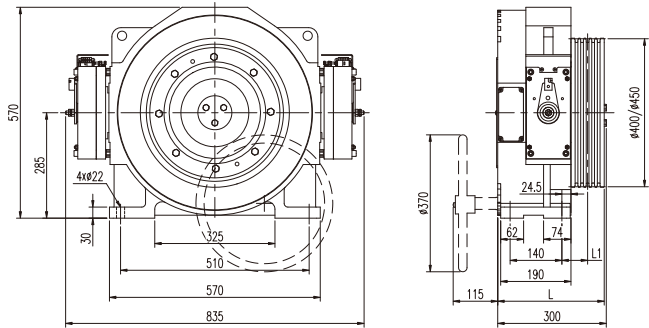


Comparison between MCK200-2022(NEW) and MCK200-2020(OLD)

MCK200-2020 (OLD)

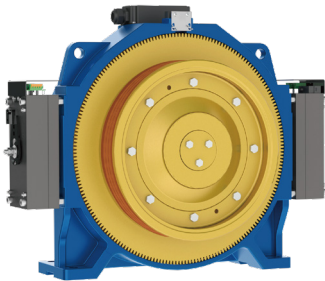


Installation Dimensions



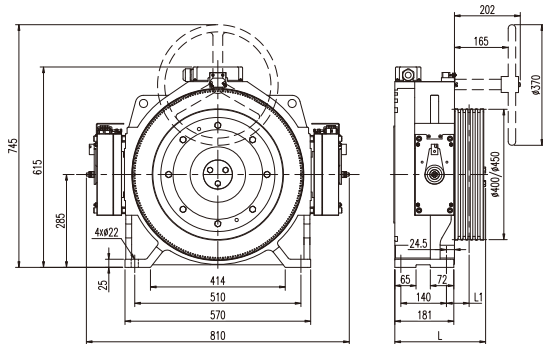
MCK200-2022(NEW)

$Q \leq 1050\text{kg}$

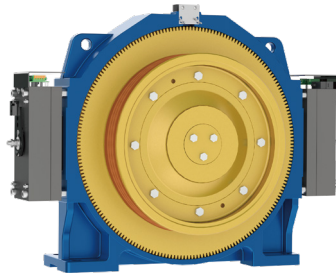


MCK200 1

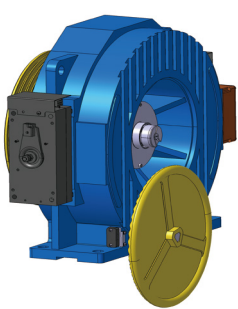
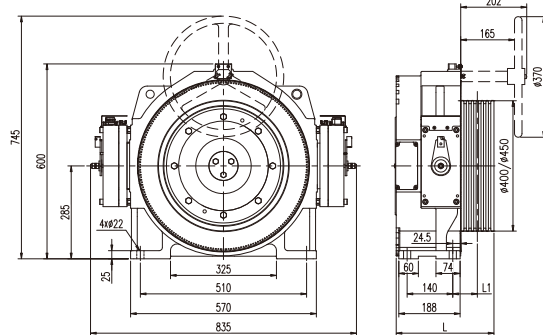
Installation Dimensions



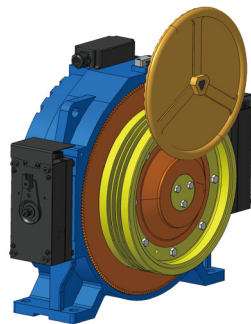
$Q = 1150\text{kg}$



MCK200 2

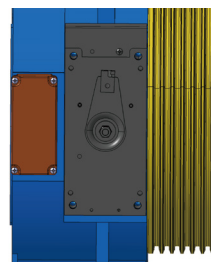


MCK200-2020

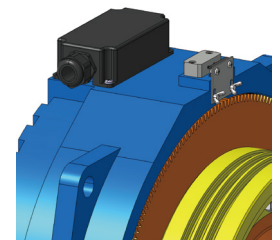


MCK200-2022(NEW)

I. Handwheel location(Facing wheel): MCK200-2020: Back; MCK200-2022(NEW): Front

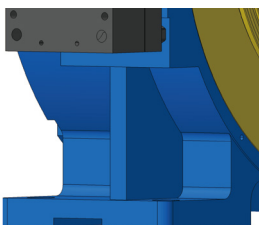


MCK200-2020

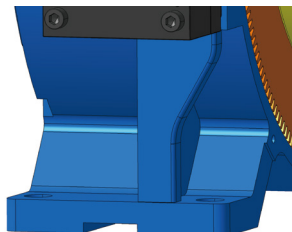


MCK200 1-2022(NEW)

II. Wiring box location: MCK2020-Side; MCK200-2022(NEW): Top



MCK200-2020



MCK200-2022(NEW)

III. Reinforcement of the base of MCK200-2022(NEW)

V. The electrical parameters of MCK200-2022(NEW) have been slightly adjusted downwards, please find the 2022 product catalogue for details